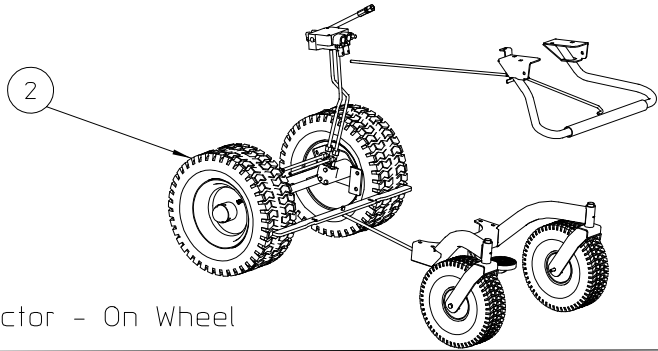
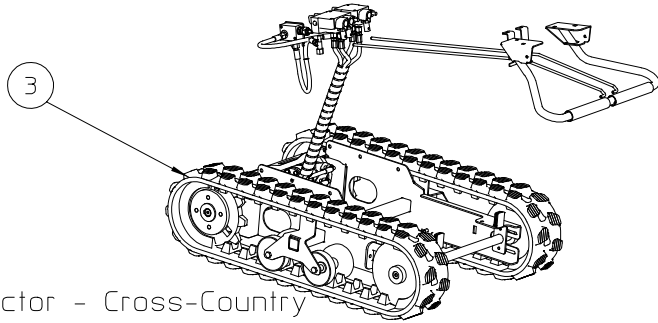


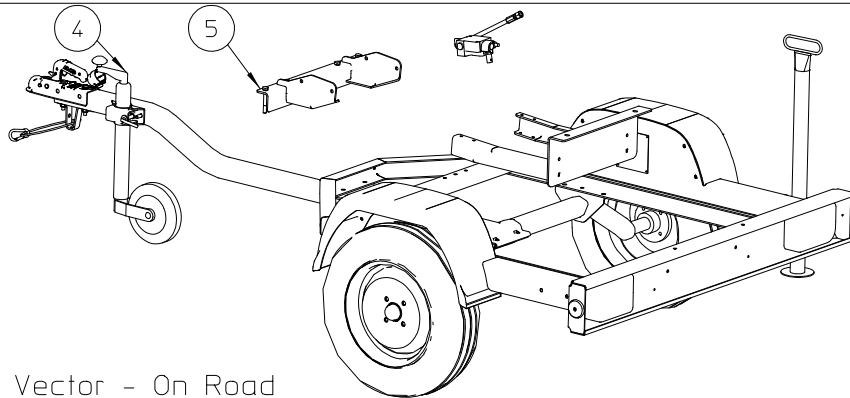
Vector - Pro



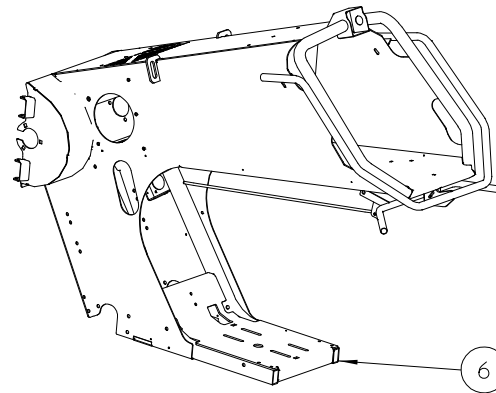
Vector - On Wheel



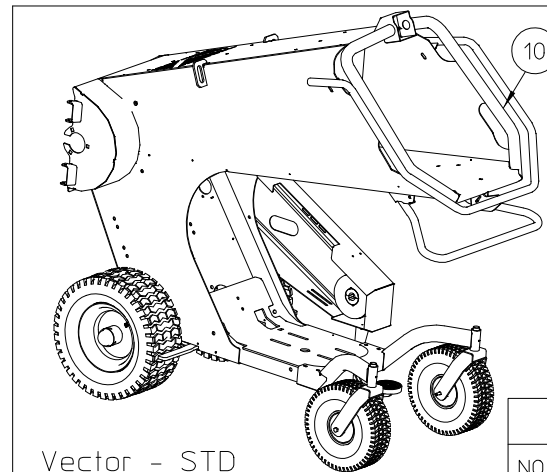
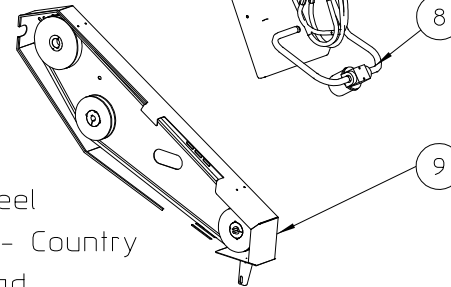
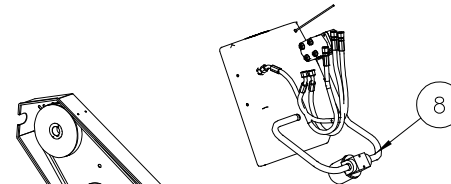
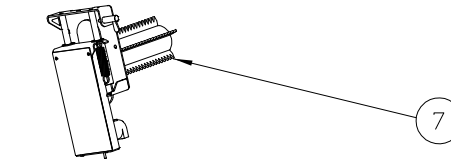
Vector - Cross-Country



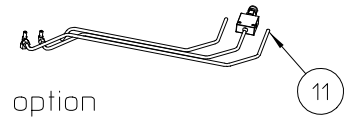
Vector - On Road



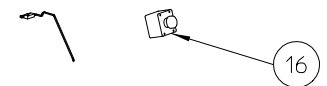
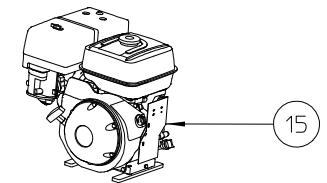
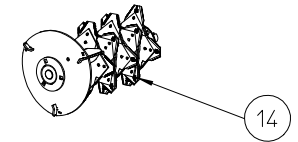
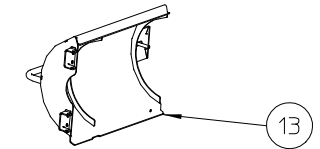
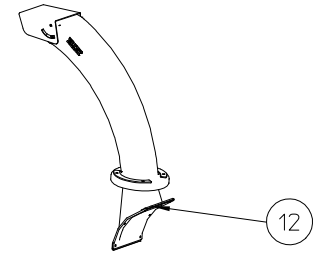
Pro
On Wheel
Cross - Country
On Road



Vector - STD



Vector - option

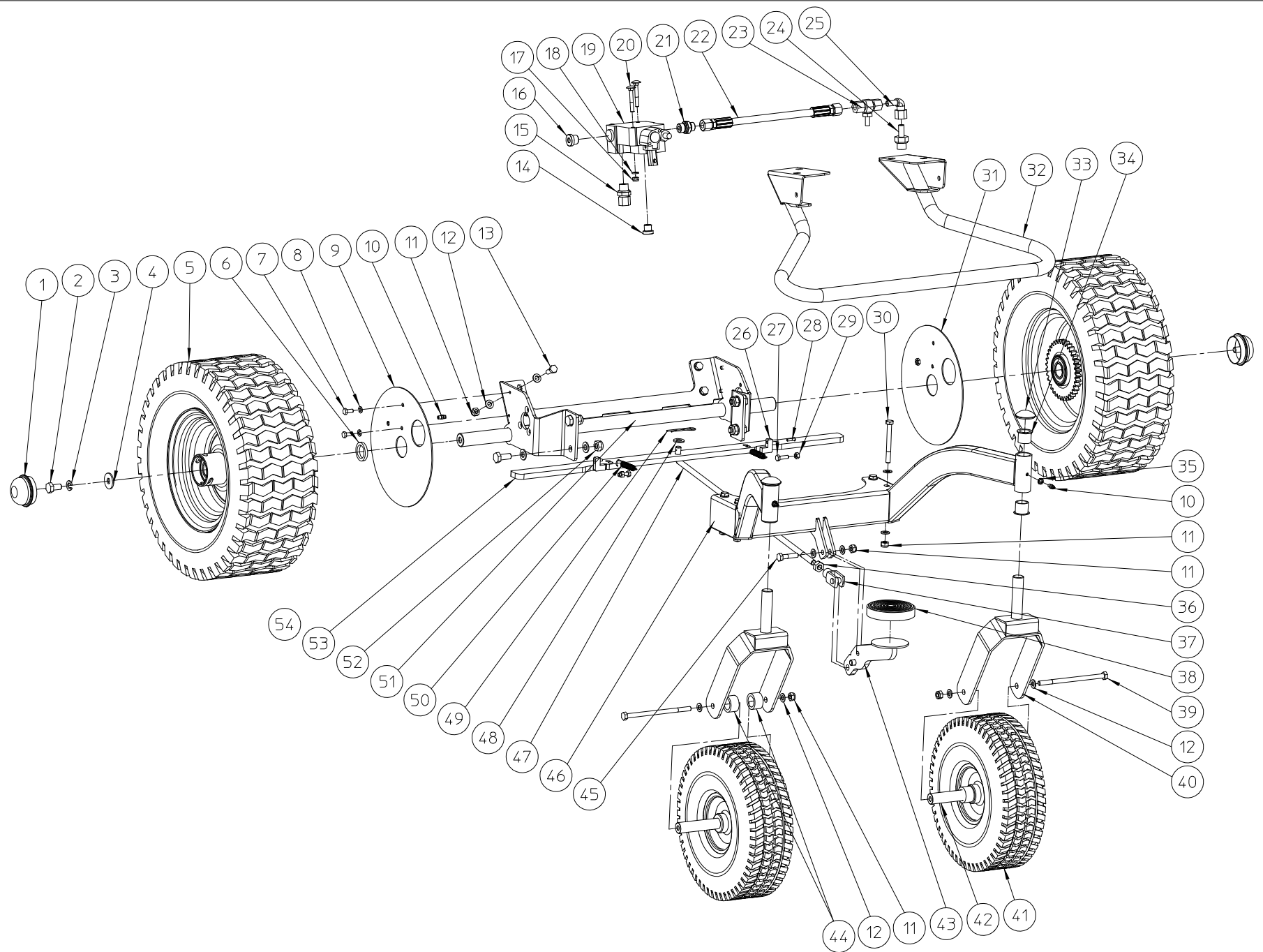


Pro
On Wheel
Cross-country
On road
Std

ELIET VECTOR 4S - GENERAL

NO	MMA 01 530 100	REV	2	DATE	2023/07/05
----	----------------	-----	---	------	------------

#	Order nr	article description	quantity
1	MMA 01 530 230	vector 4s - pro undercarriage	1
2	MMA 01 530 240	vector 4s - ow undercarriage	1
3	MMA 01 530 220	vector 4s - cc undercarriage	1
4	MMA 01 530 250	vector 4s - trailer	1
5	MMA 01 530 350	vector 4s - trailer kit	1
6	MMA 01 530 110	vector 4s - chassis	1
7	MMA 01 530 120	vector 4s - infeed roller	1
8	MMA 01 530 150	vector 4s - hydraulics	1
9	MMA 01 530 190	vector 4s - transmission	1
10	MMA 01 530 130	vector 4s - chassis w/o infeed	1
11	MMA 01 530 210	vector 4s - infeed speed valve	1
12	MMA 01 530 170	vector 4s - ejection chute	1
13	MMA 01 530 200	vector 4s - rear assembly	1
14	MMA 01 530 180	vector 4s - rotor	1
15	MMA 01 530 160	vector 4s - engine	1
16	MMA 01 530 140	vector 4s - electric	1

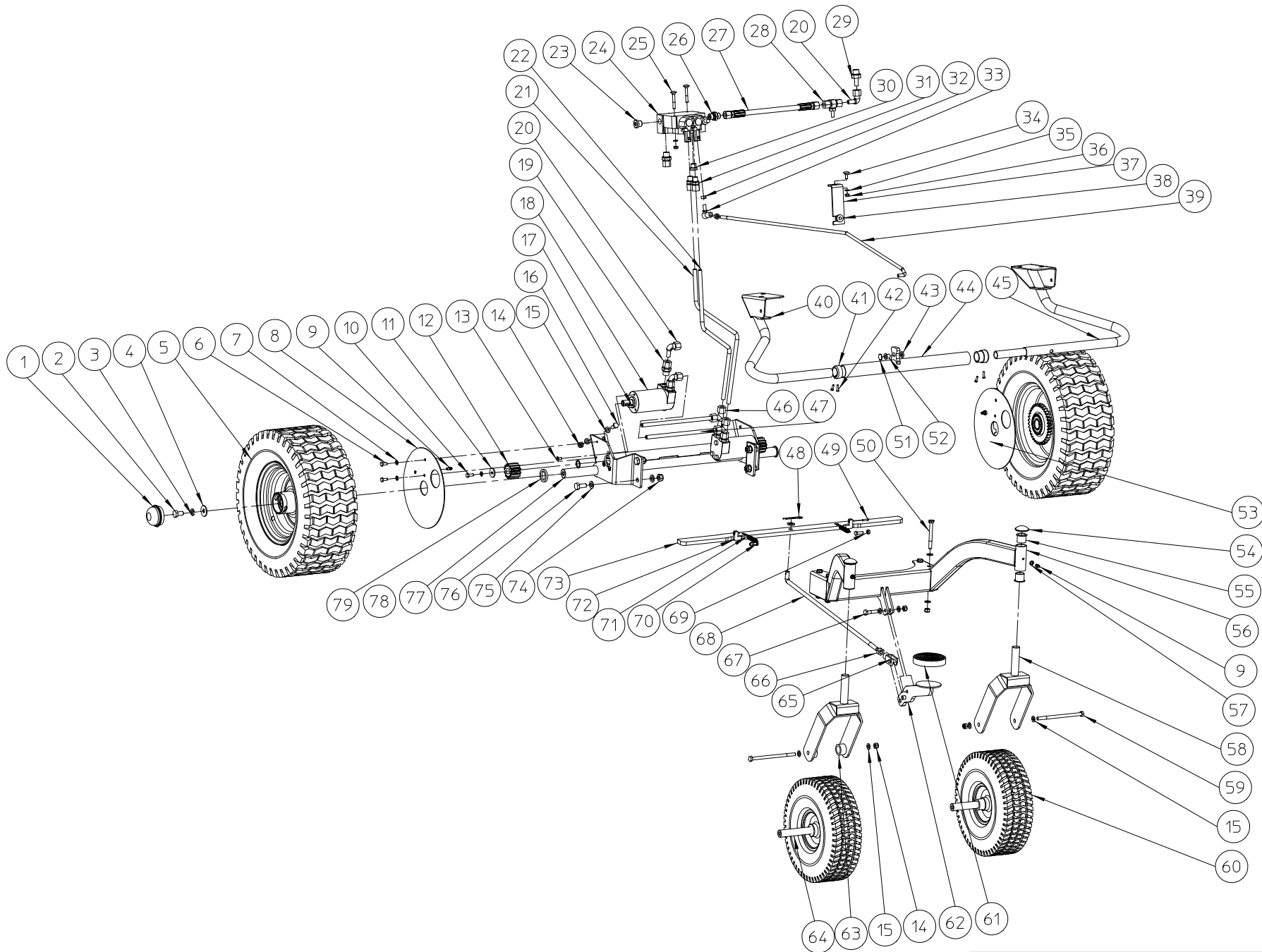


ELIET VECTOR 4S – PRO UNDERCARRIAGE

NO	MMA 01 530 230	REV	2	DATE	2023/07/10
----	----------------	-----	---	------	------------

#	Order nr	article description	quantity
1	BY 728 035 520		2
2	BS 512 001 020	bolt m10x20 din 933	2
3	BS 533 001 000	lock washer m10 din 127b	2
4	BS 532 010 305	washer m10x30x2.5	2
5	BW 040 525 020	wheel 16x6.50-8	2
6	MPA 01 054 570	washer	2
7	BS 512 000 614	bolt m6x14 din 933	4
8	BS 533 000 600	lock washer m6 din 127b	4
9	MPA 01 530 320		1
10	BY 100 106 100	grease fitting m6 din 71412	4
11	BS 502 000 800	self locking nut m8 din 985	11
12	BS 531 000 800	washer m8 din 125	22
13	BS 512 000 820	bolt m8x20 din 933	4
14	BH 518 500 400	blanking plug 1/4"	1
15	BH 509 211 006	male stud coupling 10lx3/8"	1
16	BH 518 500 600	blanking plug 3/8"	1
17	BS 502 000 600	self locking nut m6 din 985	2
18	BS 531 000 600	washer m6 din 125	2
19	BH 400 001 030	hydraulic valve bm 20/1 1/4" a3	1
20	BS 554 100 641	bolt m6x45 din 603	2
21	BH 509 251 006	male stud coupling 10lx3/8" bo	1
22	BH 551 040 300	flexible hydraulic hose 1/4"x300	1
23	BH 563 000 100	manometer coupler 10lxm16x2	1
24	BH 512 671 006	standpipe adaptor 10sr3/8"	1
25	BH 511 911 000	angular rotary fitting 10l	1
26	BR 910 000 050	nylon touch block	2
27	BS 512 000 620	bolt m6x20 din 933	2
28	BB 221 004 160	pop plug steel 3.9x16 din 7337 a	2
29	BS 501 000 600	nut m6 din 934	2
30	BS 511 000 847	bolt m8x70 din 931	4
31	MPA 01 530 310		1
32	MPA 01 530 220		1
33	BB 011 000 200	starlock 20mm	2
34	BR 112 202 100	nylon bushing with collar (20/24/29x21/1)	4
35	BS 534 000 600	lock washer m6 din 6798a	2
36	BS 501 001 000	nut m10 din 934	1
37	BS 556 001 000	fork m10x20 din 71752	1
38	BR 900 000 110	rubber socks dia 90x18mm	1
39	BS 511 000 854	bolt m8x140 din 931	2
40	MPA 01 054 410	fixation part front tires	2
41	BW 029 020 001	wheel 4.00-4 prof 5	2
42	MPA 01 051 175	wheel shaft caster wheel	2
43	MPA 01 054 350	brake	1
44	MPA 01 340 380	spacer wheelshaft	4
45	BS 511 000 835	bolt m8x35 din 931	1
46	MPA 01 530 080		1
47	MPA 01 530 330		1
48	BS 531 001 000	washer m10 din 125	9
49	BB 040 102 040	hairpin cotter 2mm din 11024	1
50	BV 912 000 030	spring	2
51	MPA 01 530 160		1
52	BS 502 001 000	self locking nut m10 din 985	4

53	MPA 01 530 390	1
54	BS 512 001 025 bolt m10x25 din 933	4

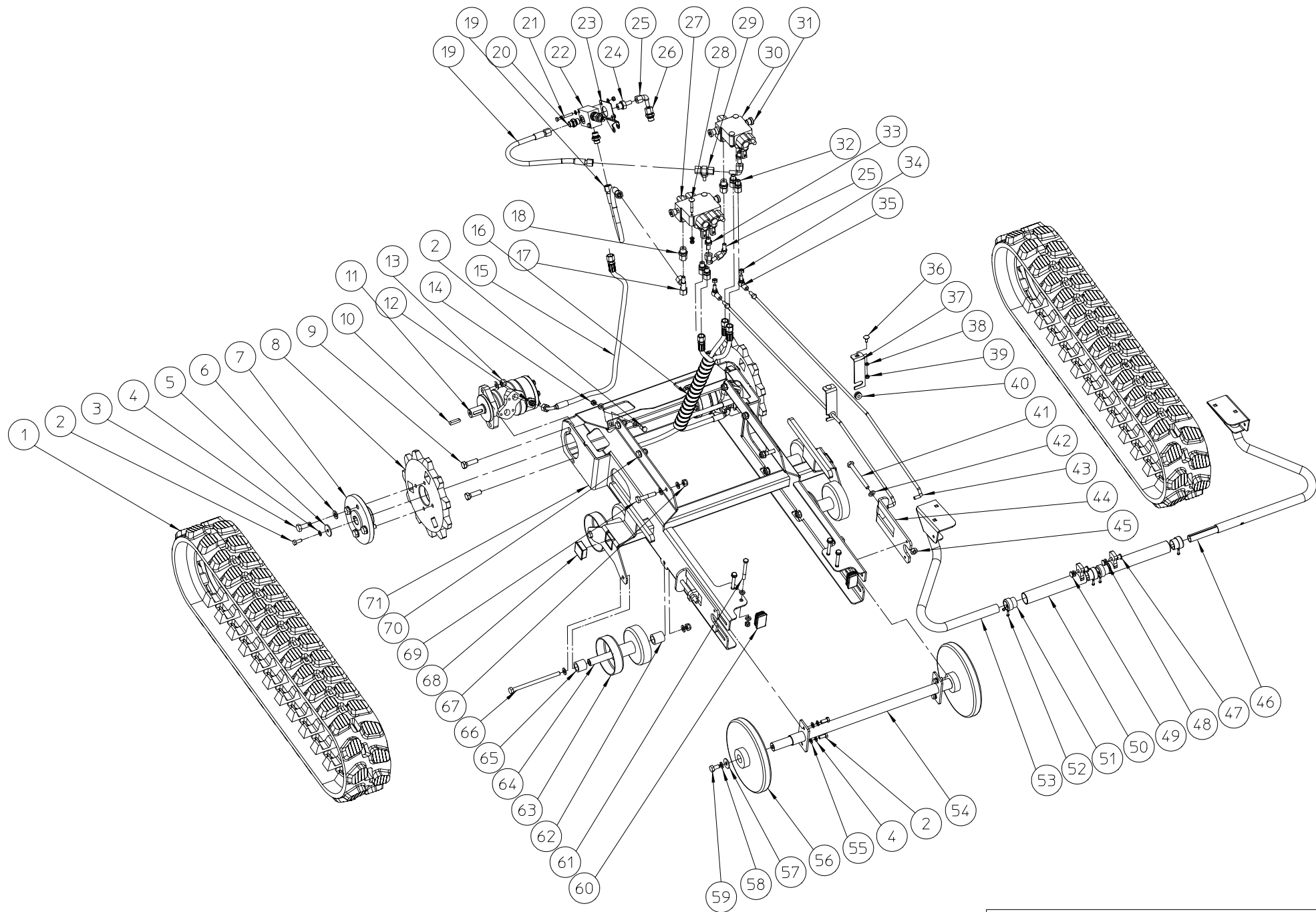


ELIET VECTOR 4S - OW UNDERCARRIAGE

NO	MMA 01 530 240	REV	2	DATE	2023/07/10
----	----------------	-----	---	------	------------

#	Order nr	article description	quantity
1	BY 728 035 520		2
2	BS 512 001 020	bolt m10x20 din 933	2
3	BS 533 001 000	lock washer m10 din 127b	2
4	BS 532 010 305	washer m10x30x2.5	2
5	BW 040 525 020	wheel 16x6.50-8	2
6	BS 512 000 614	bolt m6x14 din 933	4
7	BS 533 000 600	lock washer m6 din 127b	6
8	MPA 01 530 320		1
9	BY 100 106 100	grease fitting m6 din 71412	4
10	BS 512 000 616	bolt m6x16 din 933	2
11	BS 532 006 276	washer m6x27x3	2
12	BA 603 001 201	gear m3 12t	2
13	BS 522 100 612	screw m6x12 din 7991	6
14	BS 502 000 800	self locking nut m8 din 985	11
15	BS 531 000 800	washer m8 din 125	22
16	BS 512 000 820	bolt m8x20 din 933	4
17	BB 351 050 516	key 5x5x16 din 6885a	2
18	BH 333 203 210	hydraulic engine emm s 32cc	2
19	BH 509 211 006	male stud coupling 10lx3/8"	5
20	BH 511 911 000	angular rotary fitting 10l	3
21	MPA 01 530 260		1
22	MPA 01 530 270		1
23	BH 518 500 600	blanking plug 3/8"	1
24	BH 400 005 030	hydraulic valve bm 20/2 1/4" a1 a3	1
25	BS 554 100 641	bolt m6x45 din 603	2
26	BH 509 251 006	male stud coupling 10lx3/8" bo	1
27	BH 551 040 300	flexible hydraulic hose 1/4"x300	1
28	BH 563 000 100	manometer coupler 10lxm16x2	1
29	BH 512 671 006	standpipe adaptor 10sr3/8"	1
30	BH 518 500 400	blanking plug 1/4"	1
31	BH 509 211 004	male stud coupling 10lx1/4"	2
32	BS 501 000 800	nut m8 din 934	2
33	BA 230 010 800	ball joint m8	1
34	BS 554 100 616	bolt m6x16 din 603	1
35	BS 531 000 600	washer m6 din 125	3
36	BS 502 000 600	self locking nut m6 din 985	3
37	MPA 01 530 790		1
38	BR 910 001 170		1
39	MPA 01 530 240		1
40	MPA 01 530 210		1
41	BR 910 000 010	nylon bushing with collar (25/30/34x30/15)	2
42	BB 221 104 160	pop plug alu 3.9x16 din 7337 a	4
43	BR 111 080 300	nylon bushing (8,2/16x3)	1
44	MPA 01 073 430	command tube	1
45	MPA 01 530 200		1
46	BH 512 111 000	rotary l-fitting female 10l	2
47	MPA 01 530 280		2
48	BB 040 102 040	hairpin cotter 2mm din 11024	1
49	BB 221 004 160	pop plug steel 3.9x16 din 7337 a	2
50	BS 511 000 847	bolt m8x70 din 931	4
51	BB 011 000 080	starlock 8mm	1
52	BR 112 081 300	nylon bushing with collar (8/11/16x13/2)	1

53	MPA 01 530 310		1
54	BB 011 000 200	starlock 20mm	2
55	BR 112 202 100	nylon bushing with collar (20/24/29x21/1)	4
56	MPA 01 530 080		1
57	BS 534 000 600	lock washer m6 din 6798a	2
58	MPA 01 054 410	fixation part front tires	2
59	BS 511 000 854	bolt m8x140 din 931	2
60	BW 029 020 001	wheel 4.00-4 prof 5	2
61	BR 900 000 110	rubber socks dia 90x18mm	1
62	MPA 01 054 350	brake	1
63	MPA 01 340 380	spacer wheelshaft	4
64	MPA 01 051 175	wheel shaft caster wheel	2
65	BS 556 001 000	fork m10x20 din 71752	1
66	BS 501 001 000	nut m10 din 934	1
67	BS 511 000 835	bolt m8x35 din 931	1
68	MPA 01 530 330		1
69	BS 501 000 600	nut m6 din 934	2
70	BS 512 000 620	bolt m6x20 din 933	2
71	BV 912 000 030	spring	2
72	BR 910 000 050	nylon touch block	2
73	MPA 01 530 390		1
74	BS 502 001 000	self locking nut m10 din 985	4
75	BS 531 001 000	washer m10 din 125	9
76	BS 512 001 025	bolt m10x25 din 933	4
77	MPA 01 530 160		1
78	BS 036 001 610	precision washer 22x16x1	2
79	MPA 01 054 570	washer	2

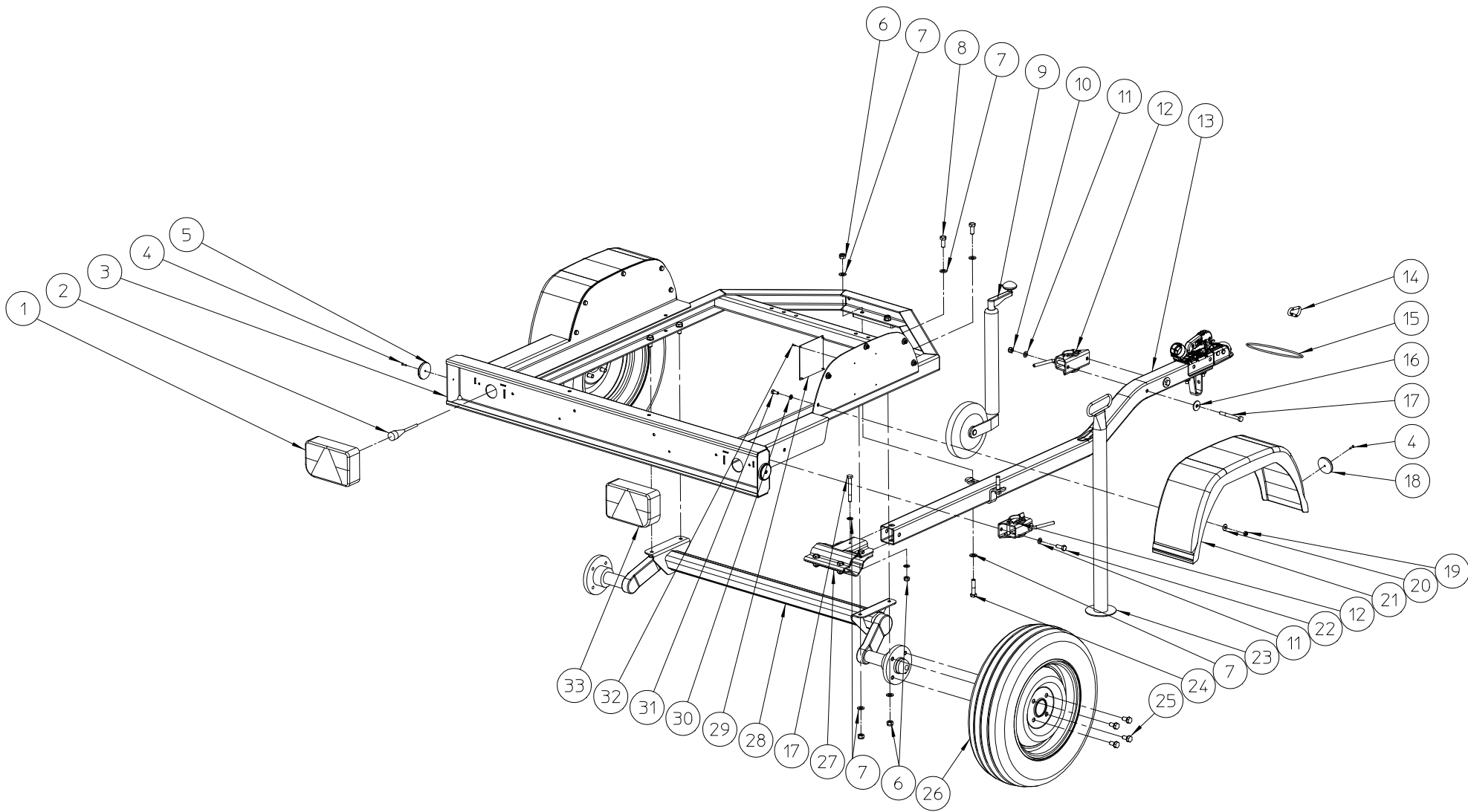


ELIET VECTOR 4S - CC UNDERCARRIAGE

NO	MMA 01 530 220	REV	2	DATE	2023/07/10
----	----------------	-----	---	------	------------

#	Order nr	article description	quantity
1	BW 815 072 340	rubber crawler 150x33x72	2
2	BS 512 000 820	bolt m8x20 din 933	8
3	BS 512 001 235	bolt m12x35 din 933	8
4	BS 533 000 800	lock washer m8 din 127b	6
5	BS 532 008 356	washer m8x35x3	2
6	BS 531 001 200	washer m12 din 125	12
7	BA 281 504 502	hub rear wheel Ø12,5mm	2
8	MPA 01 530 550		2
9	BS 512 001 240	bolt m12x40 din 933	4
10	BB 351 080 735	key 8x7x35 din 6885a	2
11	BH 333 516 000	hydraulic engine emr n 100 cd	2
12	BH 509 251 008	male stud coupling 10lx1/2" bo	4
13	BS 502 001 200	self locking nut m12 din 985	4
14	BS 502 000 800	self locking nut m8 din 985	6
15	BH 551 040 840	flexible hydraulic hose 1/4"x800	4
16	BE 044 032 440	spiral wrap hose black 32mm 440mm	1
17	BH 512 111 000	rotary l-fitting female 10l	1
18	BH 509 211 006	male stud coupling 10lx3/8"	2
19	BH 551 040 440	flexible hydraulic hose 1/4"x445	2
20	BH 509 251 006	male stud coupling 10lx3/8" bo	3
21	BS 512 000 642	bolt m6x50 din 933	2
22	BH 430 120 600	relief valve 3/8"	1
23	MPA 01 530 810		1
24	BH 512 671 006	standpipe adaptor 10sr3/8"	1
25	BH 511 911 000	angular rotary fitting 10l	4
26	BH 508 121 000	nut 10l	1
27	BH 400 005 030	hydraulic valve bm 20/2 1/4" a1 a3	1
28	BS 554 100 641	bolt m6x45 din 603	4
29	BH 563 000 100	manometer coupler 10lxm16x2	1
30	BH 400 001 010	hydraulic valve bm 20/1 1/4" a8	1
31	BH 518 500 600	blanking plug 3/8"	4
32	BH 509 211 004	male stud coupling 10lx1/4"	4
33	BH 512 651 004	standpipe adaptor	2
34	BS 501 000 800	nut m8 din 934	4
35	BA 230 010 800	ball joint m8	2
36	BS 554 100 616	bolt m6x16 din 603	2
37	MPA 01 530 790		2
38	BS 531 000 600	washer m6 din 125	10
39	BS 502 000 600	self locking nut m6 din 985	8
40	BR 910 001 170		2
41	BS 512 001 050	bolt m10x100 din 933	2
42	BS 531 001 000	washer m10 din 125	22
43	MPA 01 530 240		2
44	MPA 01 054 470	support tightner rubber track	2
45	BS 501 001 000	nut m10 din 934	2
46	MPA 01 530 200		1
47	BR 112 081 300	nylon bushing with collar (8/11/16x13/2)	2
48	BR 111 080 300	nylon bushing (8,2/16x3)	2
49	BB 011 000 080	starlock 8mm	2
50	MPA 01 073 440	control pipe cross country	2
51	BR 910 000 010	nylon bushing with collar (25/30/34x30/15)	4
52	BB 221 104 160	pop plug alu 3.9x16 din 7337 a	8

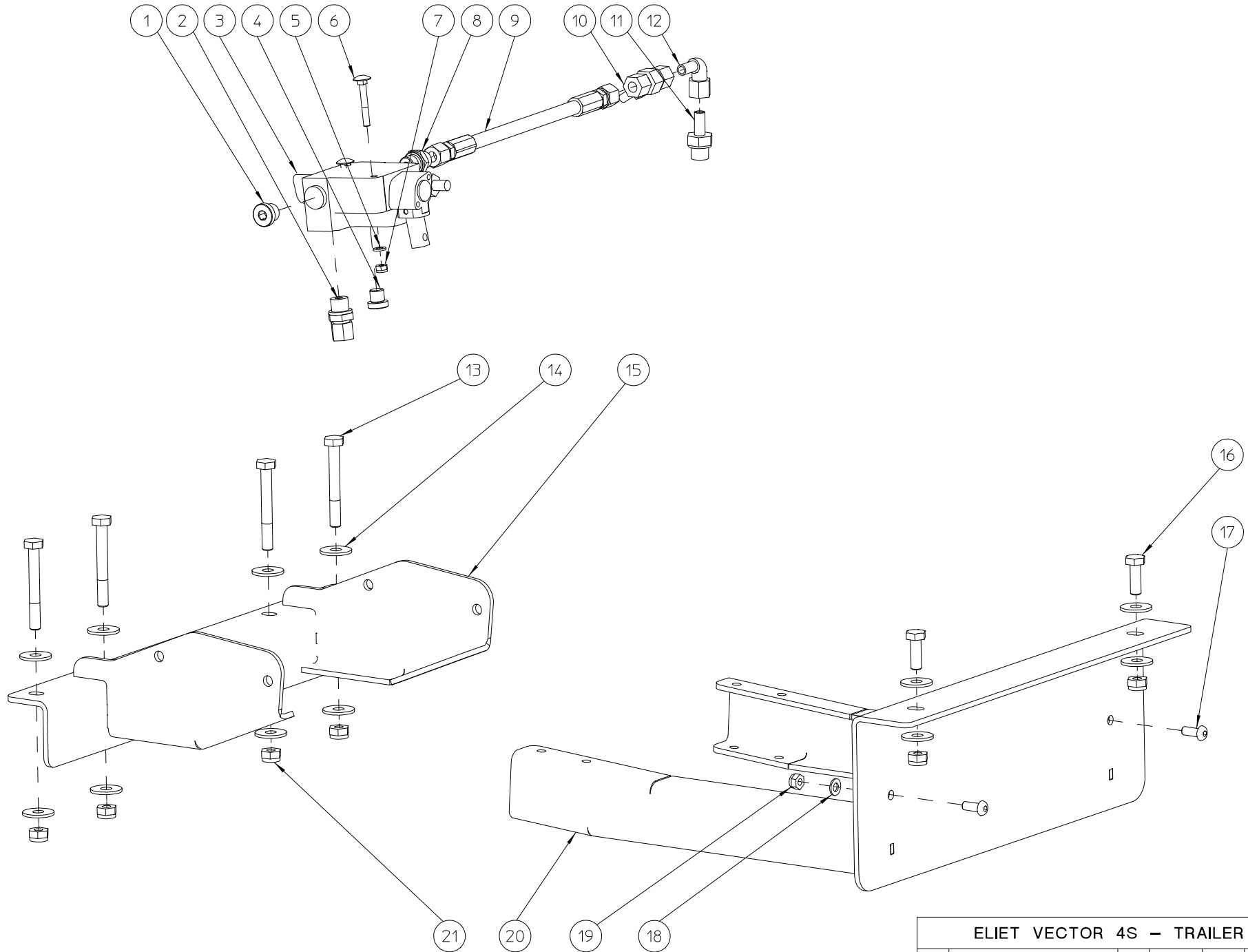
53	MPA 01 530 210		1
54	MPA 01 530 250		1
55	BS 531 000 800	washer m8 din 125	16
56	BW 622 725 002		2
57	BS 532 010 305	washer m10x30x2.5	2
58	BS 533 001 000	lock washer m10 din 127b	2
59	BS 512 001 020	bolt m10x20 din 933	2
60	BR 021 150 300	cap 50x30	2
61	BS 511 000 847	bolt m8x70 din 931	4
62	MPA 01 530 570		4
63	BW 611 520 002		4
64	MPA 01 530 580		4
65	MPA 01 054 630	outside spacer	4
66	BS 511 001 056	bolt m10x160 din 931	4
67	BS 502 001 000	self locking nut m10 din 985	10
68	BR 021 140 400	cap 40x40	2
69	BS 511 001 043	bolt m10x55 din931	2
70	BS 512 001 025	bolt m10x25 din 933	4
71	MPA 01 530 150		1



ELIET VECTOR 4S – TRAILER

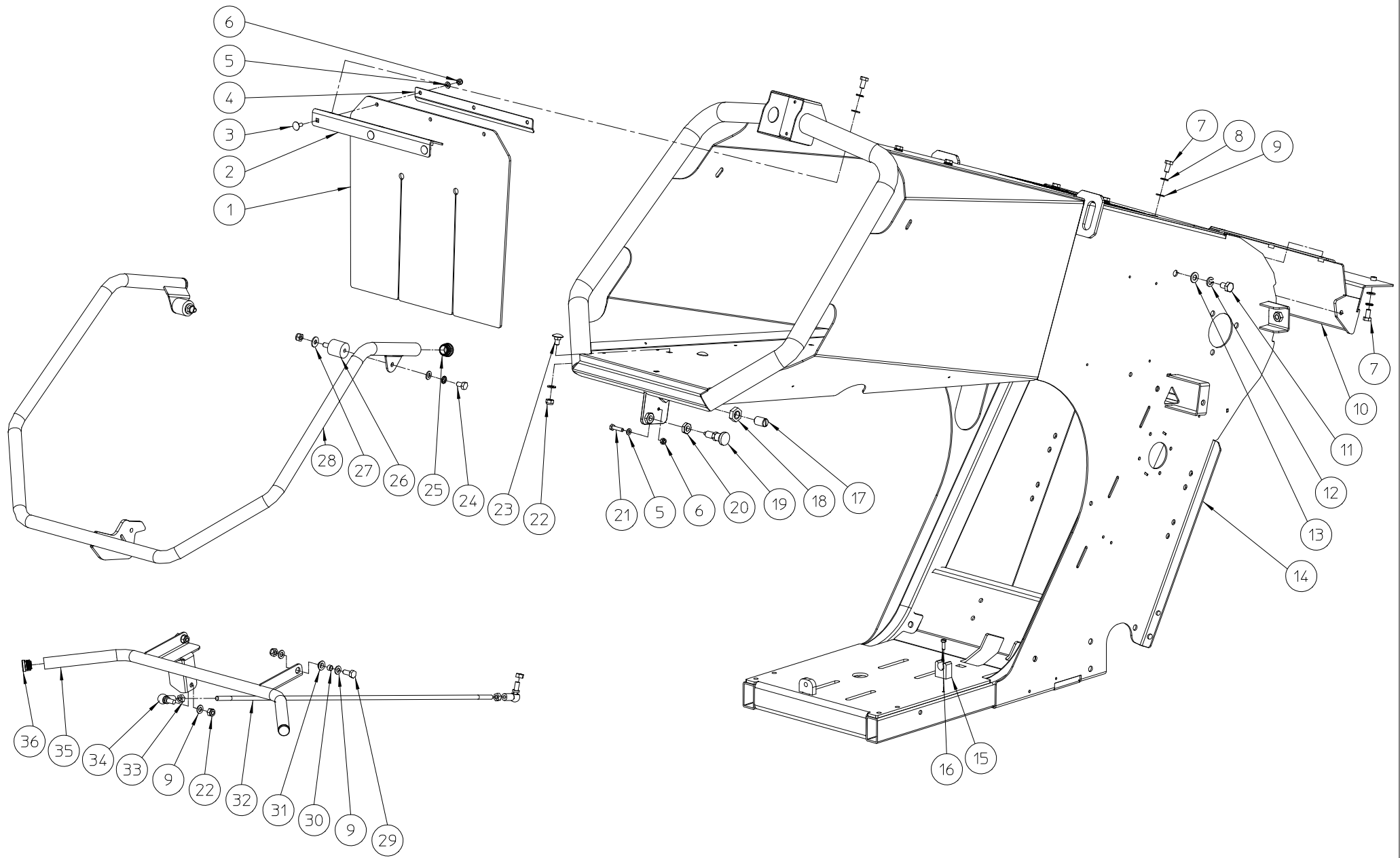
NO	MMA 01 530 250	REV	1	DATE	2023/07/05
----	----------------	-----	---	------	------------

#	Order nr	article description	quantity
1	BY 707 120 501	backlight left	1
2	BY 707 120 503	cable 5m 7 pol	1
3	MPA 01 074 030	chassis trailer	1
4	BB 221 104 160	pop plug alu 3.9x16 din 7337 a	4
5	BY 708 122 010	reflector yellow 60mm screw	2
6	BS 502 001 200	self locking nut m12 din 985	6
7	BS 531 001 200	washer m12 din 125	12
8	BS 512 001 230	bolt m12x30 din 933	4
9	BY 727 000 100	support wheel	1
10	BS 502 001 000	self locking nut m10 din 985	5
11	BS 531 001 000	washer m10 din 125	8
12	BY 728 010 100	clamp support wheel	2
13	BY 709 601 004		1
14	BY 522 080 080	snap hook 8x80	1
15	BY 709 601 200		1
16	BS 532 010 356	washer m10x35x3	2
17	BS 511 001 049	bolt m10x90 din 931	3
18	BY 708 112 010	round reflector white d60	2
19	BS 502 000 800	self locking nut m8 din 985	10
20	BS 532 008 223	washer m8x22x1.5	10
21	BY 722 400 400	splash screen plastic 180/631 black	2
22	BS 512 001 030	bolt m10x30 din 933	2
23	BY 709 600 602	support pot 48 x 700mm	1
24	BS 511 001 243	bolt m12x55 din 931	2
25	BS 512 301 220	bolt m12x1.5x20 din 961	8
26	BW 054 055 000	kw 155/70r13c sec/4,0jx13/4/60/100et30 3 plies max437 kg	2
27	BY 709 601 100	klemverbinding asdissel	1
28	BY 726 020 080		1
29	MPA 01 052 680	identification plate	1
30	BS 531 000 800	washer m8 din 125	10
31	BS 512 000 820	bolt m8x20 din 933	10
32	BB 221 103 100	pop plug alu 3x10 din 7337 a	4
33	BY 707 120 502	backlight right	1



ELIET VECTOR 4S – TRAILER KIT					
NO	MMA 01 530 350	REV	1	DATE	2023/07/05

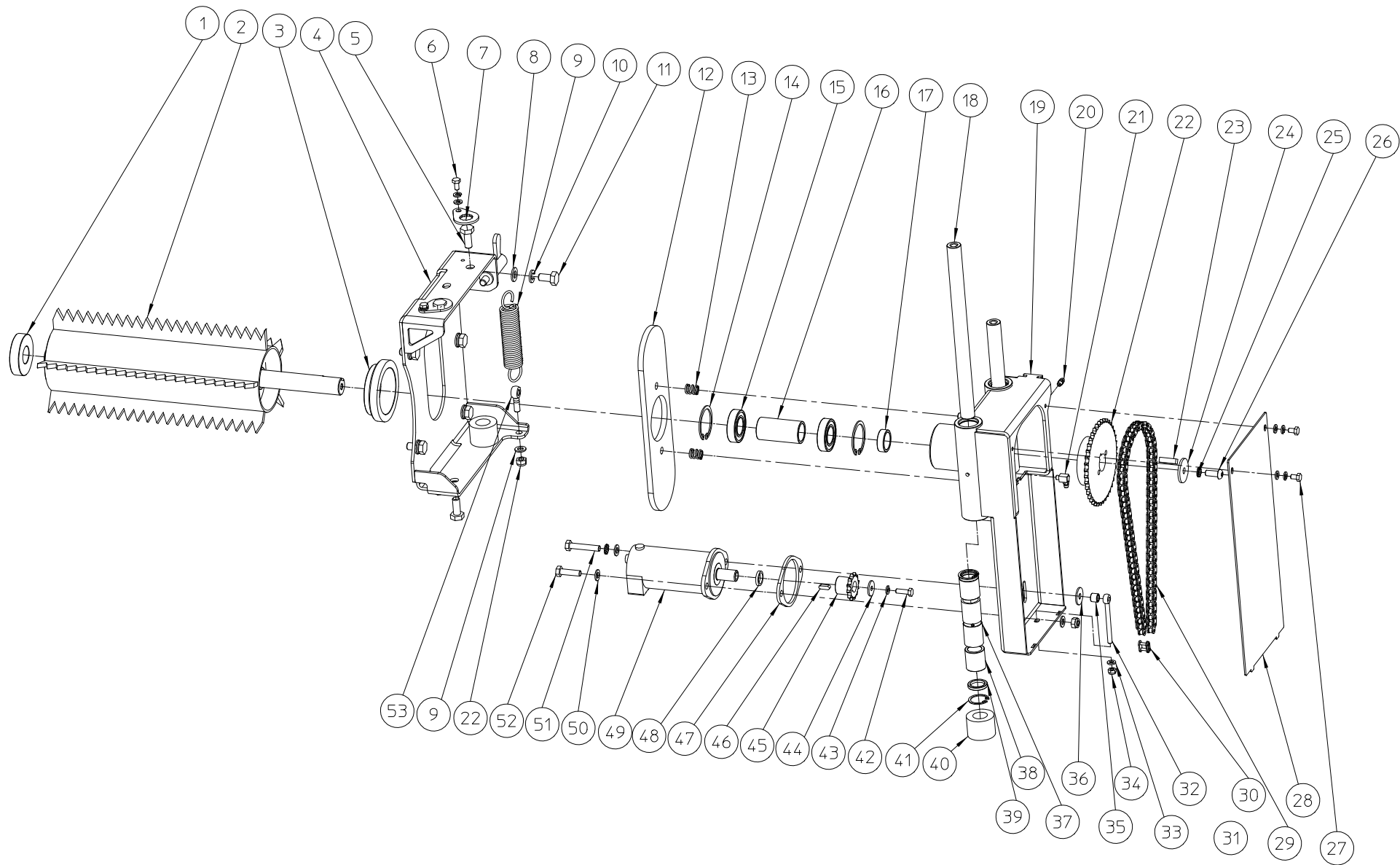
#	Order nr	article description	quantity
1	BH 518 500 600	blanking plug 3/8"	1
2	BH 509 211 006	male stud coupling 10lx3/8"	1
3	BH 400 001 030	hydraulic valve bm 20/1 1/4" a3	1
4	BH 518 500 400	blanking plug 1/4"	1
5	BS 531 000 600	washer m6 din 125	2
6	BS 554 100 641	bolt m6x45 din 603	2
7	BS 502 000 600	self locking nut m6 din 985	2
8	BH 509 251 006	male stud coupling 10lx3/8" bo	1
9	BH 551 040 300	flexible hydraulic hose 1/4"x300	1
10	BH 563 000 100	manometer coupler 10lxm16x2	1
11	BH 512 671 006	standpipe adaptor 10sr3/8"	1
12	BH 511 911 000	angular rotary fitting 10l	1
13	BS 511 001 048	bolt m10x80 din 931	4
14	BS 532 010 305	washer m10x30x2.5	12
15	MPA 01 530 620		1
16	BS 512 001 030	bolt m10x30 din 933	2
17	BS 522 500 820	screw m8x20 iso 7380	2
18	BS 531 000 800	washer m8 din 125	2
19	BS 502 000 800	self locking nut m8 din 985	2
20	MPA 01 530 630		1
21	BS 502 001 000	self locking nut m10 din 985	6



ELIET VECTOR 4S – CHASSIS

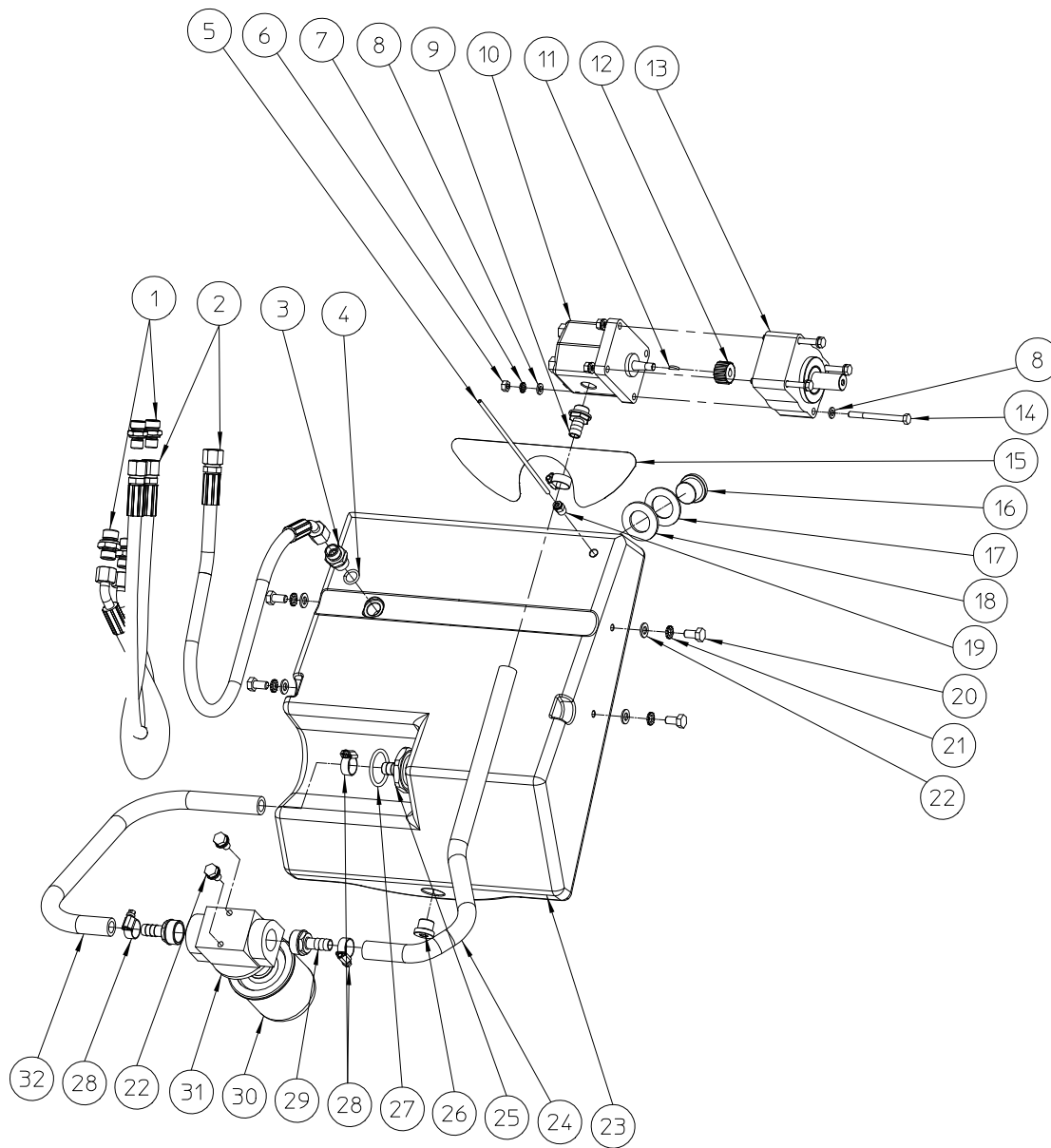
NO	MMA 01 530 110	REV	2	DATE	2023/07/10
----	----------------	-----	---	------	------------

#	Order nr	article description	quantity
1	BR 902 000 020	transparant rubber	1
2	MPA 01 530 070		1
3	BS 554 100 616	bolt m6x16 din 603	3
4	MPA 01 530 060		1
5	BS 531 000 600	washer m6 din 125	4
6	BS 502 000 600	self locking nut m6 din 985	4
7	BS 512 000 816	bolt m8x16 din 933	9
8	BS 534 000 800	lock washer m8 din 6798a	11
9	BS 531 000 800	washer m8 din 125	20
10	MPA 01 530 940		1
11	BS 512 001 016	bolt m10x16 din 933	1
12	BS 533 001 000	lock washer m10 din 127b	1
13	BS 531 001 000	washer m10 din 125	1
14	MPA 01 530 040		1
15	BT 654 001 601	clam 16mm	1
16	BS 541 000 516	screw m5x16 din 84	1
17	BS 351 601 624	spring loaded plunjer m16x24	1
18	BS 501 901 600	nut m16 din 439	1
19	BN 000 212 550	locking bolts with locking groove	1
20	BS 501 901 202	nut m12x1 din 439b	1
21	BS 512 000 625	bolt m6x25 din 933	1
22	BS 502 000 800	self locking nut m8 din 985	9
23	BS 554 100 816	bolt m8x16 din 603	4
24	BS 512 000 814	bolt m8x14 din 933	2
25	BR 020 501 250	tube cap Ø 25mm	2
26	BR 600 130 301	antivibration blocks 30x30b m8x16	2
27	BS 532 008 254	washer m8x25x2	2
28	MPA 01 530 050		1
29	BS 512 000 820	bolt m8x20 din 933	2
30	MPA 01 530 650		2
31	BR 112 100 590	nylon bushing with collar (10/12/18x5/1)	2
32	MPA 01 530 230		1
33	BS 501 000 800	nut m8 din 934	3
34	BA 230 010 800	ball joint m8	2
35	MPA 01 530 660		1
36	BR 020 501 220	tube cap Ø 22mm	2



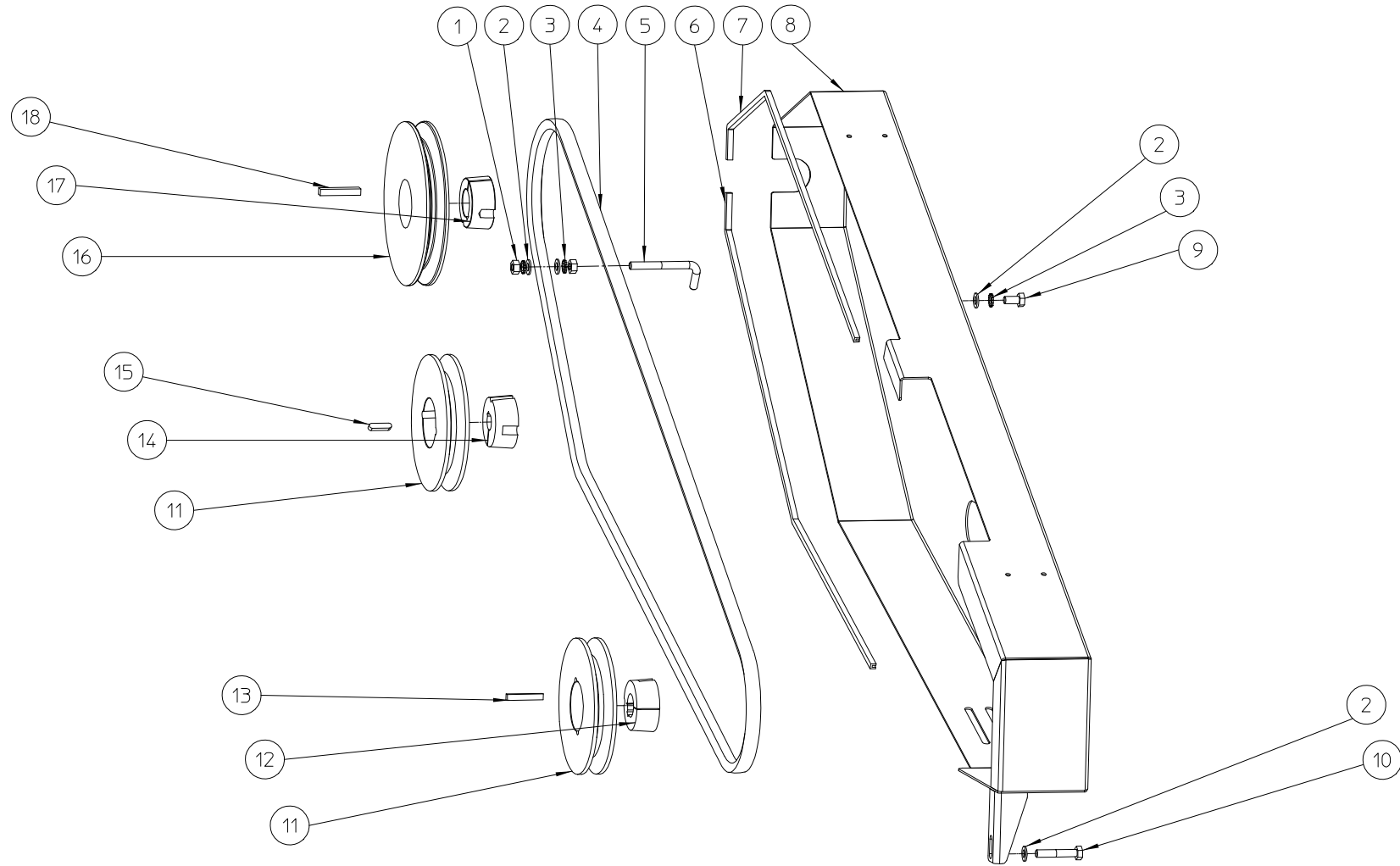
ELIET VECTOR 4S - INFEED ROLLER					
NO	MMA 01 530 120	REV	2	DATE	2023/06/28

#	Order nr	article description	quantity
1	BR 910 000 970		1
2	MPA 01 530 090		1
3	BR 910 001 150		1
4	MPA 01 530 340		1
5	BS 512 001 025	bolt m10x25 din 933	4
6	BS 512 000 612	bolt m6x12 din 933	4
7	MPA 01 054 750	fixating plate - bolt intake roll	4
8	BS 531 001 000	washer m10 din 125	5
9	BV 919 000 020	spring	1
10	BS 533 001 000	lock washer m10 din 127b	5
11	BS 512 001 020	bolt m10x20 din 933	5
12	BR 910 001 130		1
13	BV 911 000 010	spring 14x2x16	2
14	BB 002 000 470	retaining ring 32 din 472	2
15	BL 002 504 703	bearing 6005 zz	2
16	MPA 01 530 130		1
17	MPA 01 530 120		1
18	MPA 01 530 100		2
19	MPA 01 530 410		1
20	BY 100 106 100	grease fitting m6 din 71412	1
21	BY 100 106 400	grease fitting m6 90° din 71412	1
22	BA 161 040 251	sprocket simplex 3/8"x7/32" 40t	1
23	BB 341 080 725	key 8x7x25 din 6880	1
24	BS 532 008 356	washer m8x35x3	1
25	BS 534 000 800	lock washer m8 din 6798a	2
26	BS 522 500 820	screw m8x20 iso 7380	1
27	BS 512 000 610	bolt m6x10 din 933	2
28	MPA 01 530 500		1
29	BA 101 075 020	chain simplex 3/8"x7/32" 75l	1
30	BA 151 200 000	connecting chain link simplex 3/8"x7/32"	1
31	BS 502 000 800	self locking nut m8 din 985	2
32	BS 551 000 646	eye bolt m6x70 din 444	1
33	BS 531 000 600	washer m6 din 125	7
34	BS 502 000 600	self locking nut m6 din 985	1
35	MPA 01 054 810	spacer	1
36	BS 532 008 254	washer m8x25x2	1
37	MPA 01 530 110		2
38	MPA 01 055 180		4
39	BR 302 120 284	seal 20x28x4	4
40	BR 900 001 810	rubber center piece	2
41	BB 002 000 280	retaining ring 28 din 472	4
42	BS 512 000 620	bolt m6x20 din 933	1
43	BS 533 000 600	lock washer m6 din 127b	7
44	BS 532 006 224	washer m6x22x2	1
45	BA 161 012 162	sprocket simplex 3/8"x7/32" 12t	1
46	BB 351 050 516	key 5x5x16 din 6885a	1
47	MPA 01 530 450		1
48	MPA 01 530 860		1
49	BH 333 205 000	hydraulic engine emm fs 32cc	1
50	BS 531 000 800	washer m8 din 125	4
51	BS 512 000 841	bolt m8x45 din 933	1
52	BS 512 000 830	bolt m8x30 din 933	1



ELIET VECTOR 4S – HYDRAULICS				
NO	MMA 01 530 150	REV	2	DATE 2023/07/04

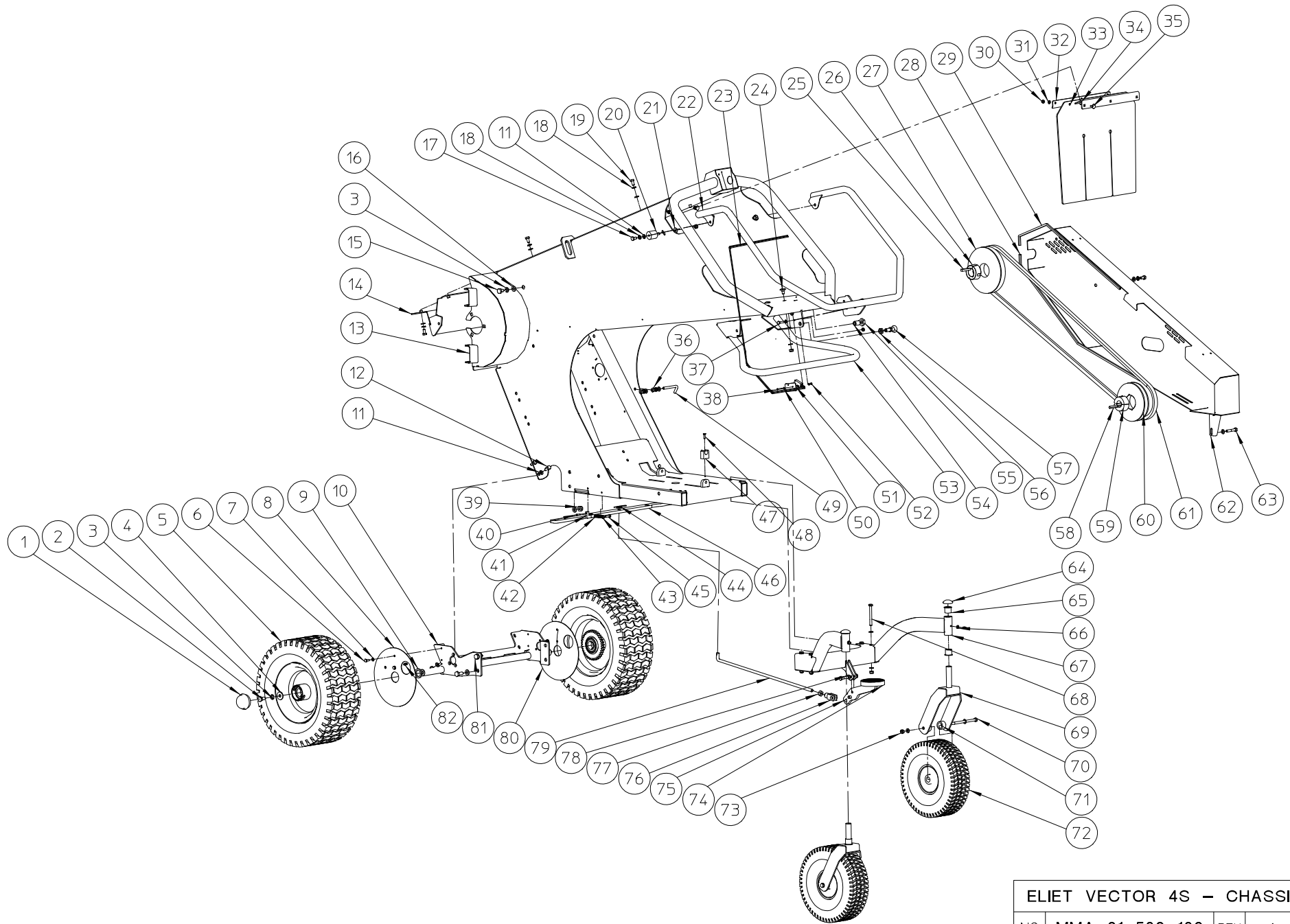
#	Order nr	article description	quantity
1	BH 509 251 004	male stud coupling 10x1/4" bo	2
2	BH 551 040 630	flexible hydraulic hose 1/4"x630	3
3	BH 509 251 006	male stud coupling 10x3/8" bo	3
4	BH 802 013 260	o-ring Ø 13,1 x 2,62 mm	1
5	BH 646 020 040	hose blue 20cm	1
6	BS 501 000 600	nut m6 din 934	4
7	BS 534 000 600	lock washer m6 din 6798a	4
8	BS 531 000 600	washer m6 din 125	8
9	BT 136 260 613	hose insert 3/8"x13mm	1
10	BH 210 101 600	hydraulic pump 1.7cc	1
11	BB 321 020 512	key 2x5x12.65 din 6888	1
12	BH 281 201 011	gear wheel z14 25x22 din5482 gr 2/1	1
13	BH 281 101 180	pump support	1
14	BS 511 000 646	bolt m6x70 din 931	4
15	BQ 501 050 130	sticker oil tank	1
16	BH 518 501 200	plug allen 3/4 r	1
17	MPA 01 054 970	washer	1
18	BR 901 204 406		1
19	BH 642 020 040	plug-in coupling 1/8 "diam 4 mm	1
20	BS 512 000 816	bolt m8x16 din 933	6
21	BS 534 000 800	lock washer m8 din 6798a	6
22	BS 531 000 800	washer m8 din 125	6
23	BY 717 214 014	plastic tank black 14 l filling hole 3/4 "	1
24	BR 200 213 047	hydraulic pipe 13x19x470mm	1
25	MPA 01 051 575	end piece	1
26	BH 518 500 600	blanking plug 3/8"	1
27	BH 812 345 350	o-ring 34,52 x 3,53 mm viton	1
28	BT 670 113 200	hose clamp 13x20mm	4
29	BT 136 261 213	hose insert 3/4"x13mm	2
30	BH 280 212 010	filter element 3/4"	1
31	BH 280 612 120	support hydraulic filter 3/4"	1
32	BR 200 213 043	hydraulic pipe 13x19x430mm	1



ELIET VECTOR 4S – TRANSMISSION

NO	MMA 01 530 190	REV	2	DATE	2023/07/03
----	----------------	-----	---	------	------------

#	Order nr	article description	quantity
1	BS 501 000 800	nut m8 din 934	2
2	BS 531 000 800	washer m8 din 125	4
3	BS 534 000 800	lock washer m8 din 6798a	3
4	BA 521 322 800	belt xpb 2280	1
5	MPA 01 010 180	belt catcher	1
6	BR 000 910 800	rubber u-moulding 800mm	1
7	BR 000 910 645	rubber u-moulding 645mm	1
8	MPA 01 530 930		1
9	BS 512 000 816	bolt m8x16 din 933	1
10	BS 511 000 841	bolt m8x45 din 931	1
11	BA 563 714 010	pulley spb 190 tl2012	2
12	BB 501 231 600	taper lock tl 1610-1"	1
13	BB 342 060 640	key 6.35x6.35x40 din 6880	1
14	BB 501 131 800	taper lock tl 1610-18	1
15	BB 351 060 625	key 6x6x25 din 6885a	1
16	BA 563 717 010	pulley spb 170 tl1610	1
17	BB 501 133 000	taper lock tl 1610-30	1
18	BB 341 080 745	key 8x7x45 din 6880	1

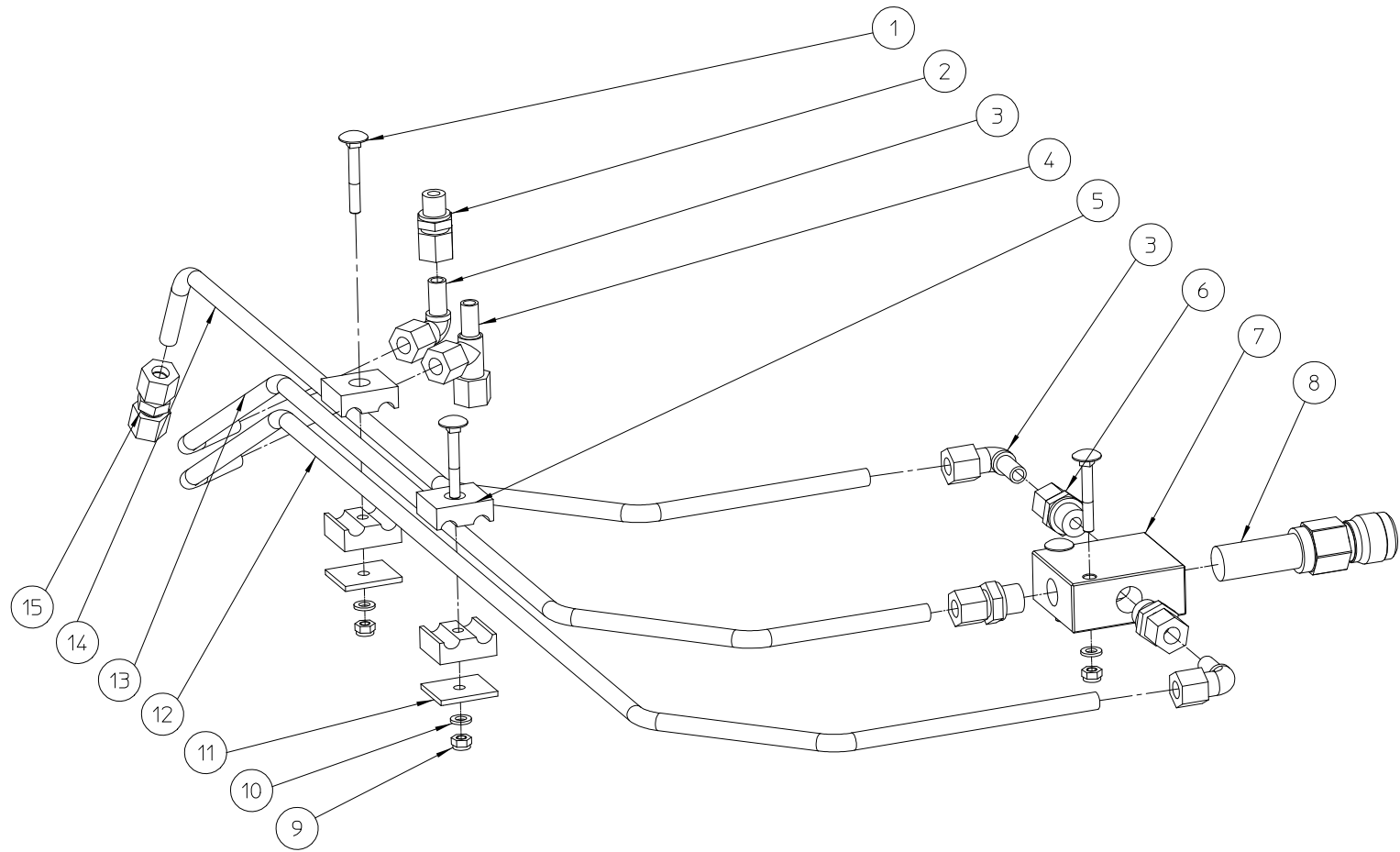


ELIET VECTOR 4S – CHASSIS W/O INFEEED

NO	MMA 01 530 130	REV	1	DATE	2023/07/11
----	----------------	-----	---	------	------------

#	Order nr	article description	quantity
1	BY 728 035 520		2
2	BS 512 001 020	bolt m10x20 din 933	2
3	BS 533 001 000	lock washer m10 din 127b	4
4	BS 532 010 305	washer m10x30x2.5	1
5	BW 040 525 020	wheel 16x6.50-8	2
6	BS 512 000 614	bolt m6x14 din 933	4
7	BS 533 000 600	lock washer m6 din 127b	4
8	MPA 01 530 320		1
9	MPA 01 054 570	washer	2
10	MPA 01 530 160		1
11	BS 531 000 800	washer m8 din 125	44
12	BS 512 000 820	bolt m8x20 din 933	4
13	MPA 01 530 800		1
14	MPA 01 530 940		1
15	BS 512 001 016	bolt m10x16 din 933	2
16	BS 531 001 000	washer m10 din 125	15
17	BS 512 000 814	bolt m8x14 din 933	2
18	BS 534 000 800	lock washer m8 din 6798a	16
19	BS 512 000 816	bolt m8x16 din 933	10
20	BR 600 130 301	antivibration blocks 30x30b m8x16	2
21	BS 532 008 254	washer m8x25x2	2
22	MPA 01 530 050		1
23	BE 120 010 507	safety switch	1
24	BS 554 100 816	bolt m8x16 din 603	4
25	BB 341 080 745	key 8x7x45 din 6880	1
26	BA 563 717 010	pulley spb 170 tl1610	1
27	BB 501 133 000	taper lock tl 1610-30	1
28	BR 000 910 780	rubber u-moulding 780mm	1
29	BR 000 910 590	rubber u-moulding 590mm	1
30	BS 502 000 600	self locking nut m6 din 985	4
31	BS 531 000 600	washer m6 din 125	4
32	MPA 01 530 060		1
33	BR 902 000 020	transparant rubber	1
34	MPA 01 530 070		1
35	BS 554 100 616	bolt m6x16 din 603	3
36	BS 501 000 800	nut m8 din 934	4
37	BS 512 000 625	bolt m6x25 din 933	1
38	BS 522 500 325	screw m3x25 iso 7380	2
39	BS 502 001 000	self locking nut m10 din 985	6
40	BB 221 004 160	pop plug steel 3.9x16 din 7337 a	2
41	BR 910 000 050	nylon touch block	2
42	BV 912 000 030	spring	2
43	BS 501 000 600	nut m6 din 934	2
44	BB 040 102 040	hairpin cotter 2mm din 11024	1
45	BS 512 000 620	bolt m6x20 din 933	2
46	MPA 01 530 390		1
47	BT 654 001 601	clam 16mm	1
48	BS 541 000 516	screw m5x16 din 84	1
49	MPA 01 010 180	belt catcher	2
50	BS 531 000 300	washer m3 din 125	4
51	MPA 01 530 970		1
52	BS 502 000 300	self locking nut m3 din 985	2

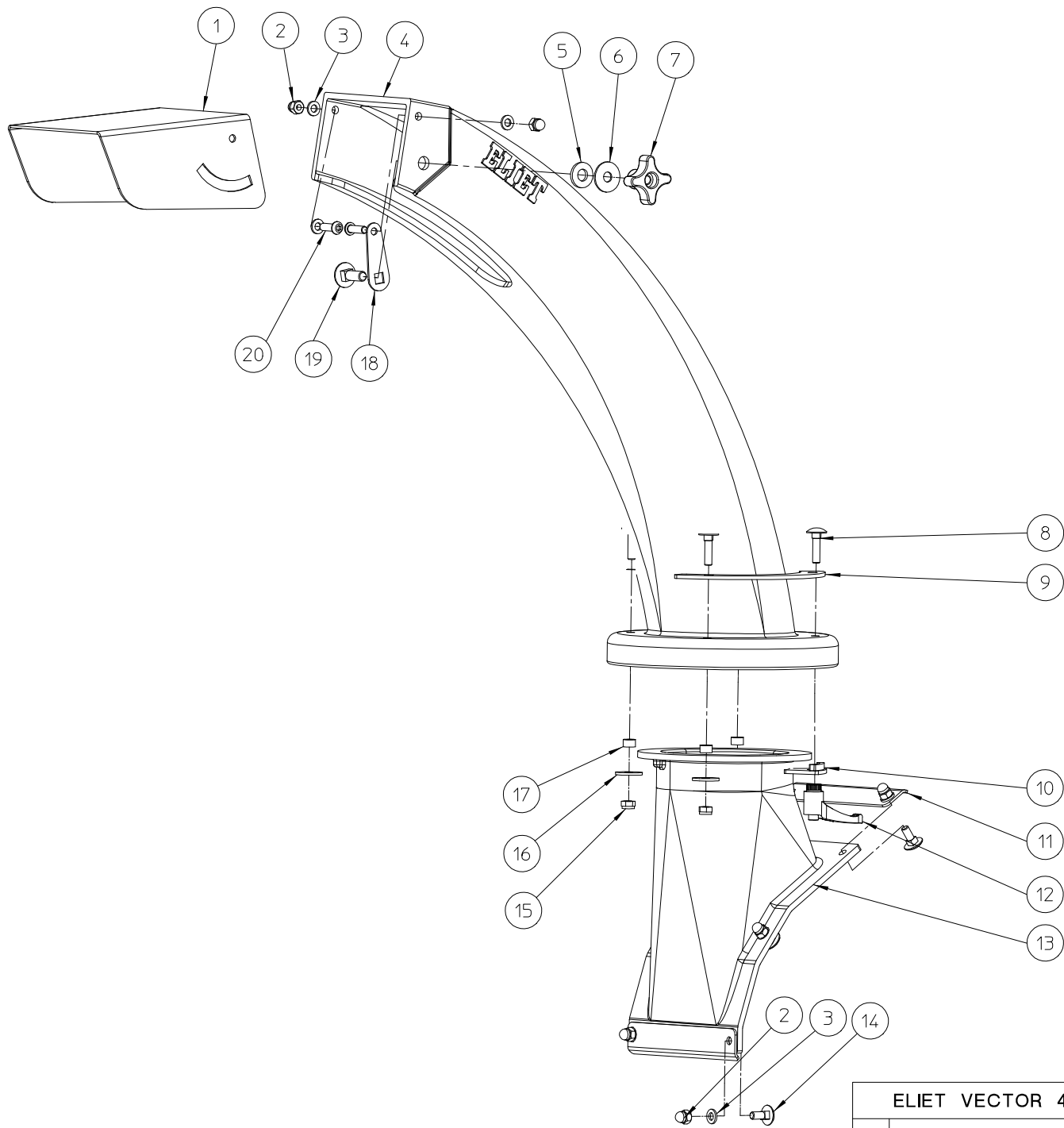
53	MPA 01 530 220		1
54	BS 351 601 624	spring loaded plunjer m16x24	1
55	BS 501 901 600	nut m16 din 439	1
56	BS 501 901 202	nut m12x1 din 439b	1
57	BN 000 212 550	locking bolts with locking groove	1
58	BB 342 060 640	key 6.35x6.35x40 din 6880	1
59	BB 501 231 600	taper lock tl 1610-1"	1
60	BA 563 714 010	pulley spb 190 tl2012	1
61	BA 521 322 400	belt xpb 2240	1
62	MPA 01 530 930		1
63	BS 511 000 841	bolt m8x45 din 931	1
64	BB 011 000 200	starlock 20mm	2
65	BR 112 202 100	nylon bushing with collar (20/24/29x21/1)	4
66	BS 534 000 600	lock washer m6 din 6798a	2
67	MPA 01 530 080		1
68	BS 511 000 847	bolt m8x70 din 931	4
69	MPA 01 054 410	fixation part front tires	2
70	BS 511 000 854	bolt m8x140 din 931	2
71	MPA 01 340 380	spacer wheelshaft	4
72	BW 029 020 001	wheel 4.00-4 prof 5	2
73	BS 502 000 800	self locking nut m8 din 985	18
74	BR 900 000 110	rubber socks dia 90x18mm	1
75	MPA 01 054 350	brake	1
76	BS 556 001 000	fork m10x20 din 71752	1
77	BS 501 001 000	nut m10 din 934	1
78	BS 511 000 835	bolt m8x35 din 931	1
79	MPA 01 530 330		1
80	MPA 01 530 310		1
81	BS 512 001 025	bolt m10x25 din 933	6
82	BY 100 106 100	grease fitting m6 din 71412	4



ELIET VECTOR 4S - INFEEED SPEED VALVE

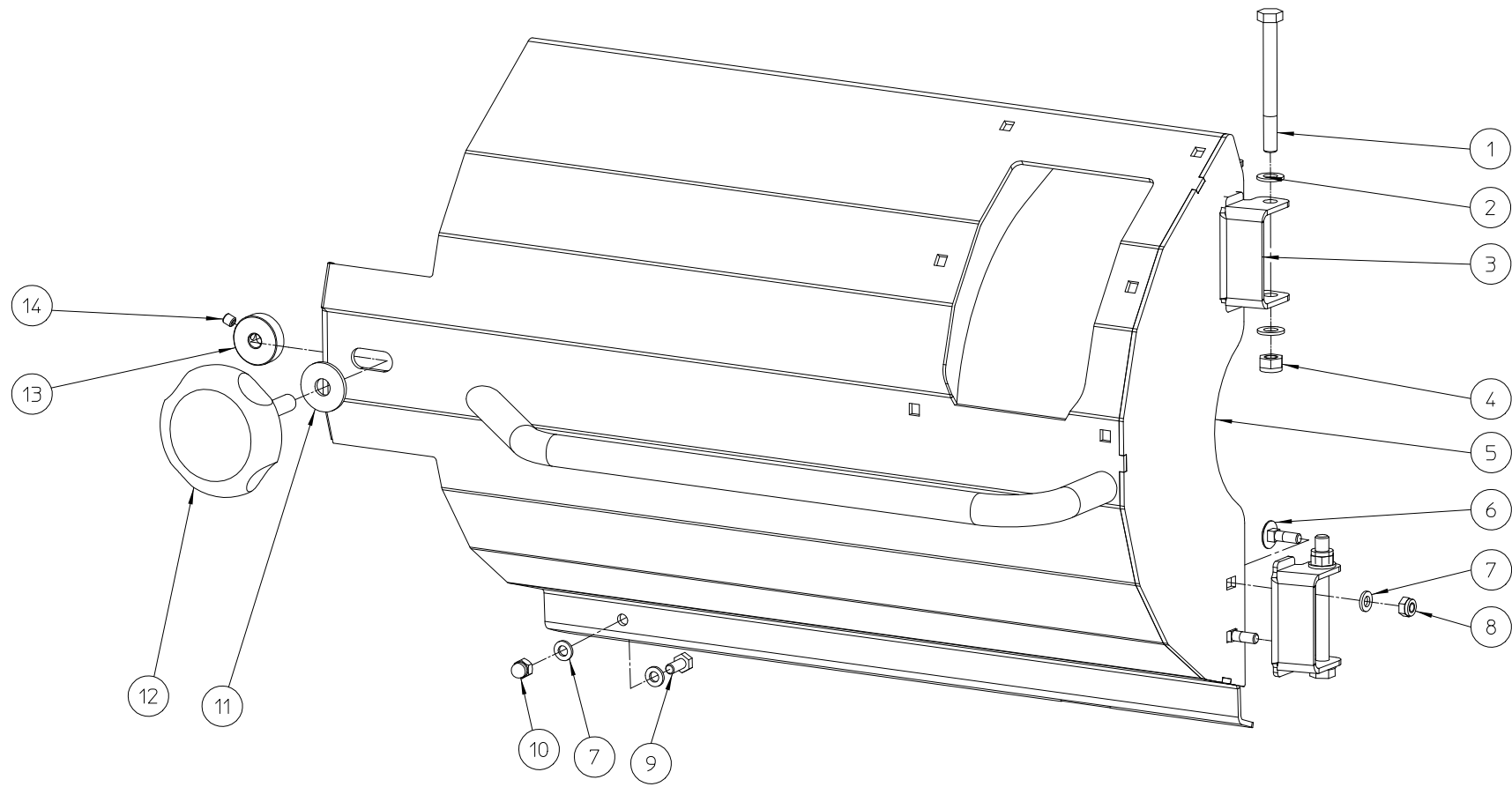
NO	MMA 01 530 210	REV	2	DATE	2023/07/10
----	----------------	-----	---	------	------------

#	Order nr	article description	quantity
1	BS 554 100 641	bolt m6x45 din 603	4
2	BH 509 211 004	male stud coupling 10lx1/4"	1
3	BH 511 911 000	angular rotary fitting 10l	3
4	BH 512 111 000	rotary l-fitting female 10l	1
5	BH 711 020 110	pipe clamp rbpr-110	2
6	BH 509 211 006	male stud coupling 10lx3/8"	3
7	BH 430 011 101		1
8	BH 430 011 121		1
9	BS 502 000 600	self locking nut m6 din 985	4
10	BS 531 000 600	washer m6 din 125	4
11	BH 710 003 010	clamp base - a	2
12	MPA 01 530 880		1
13	MPA 01 530 900		1
14	MPA 01 530 890		1
15	BH 509 811 000	female stud coupling 10l	1



ELIET VECTOR 4S – EJECTION CHUTE				
NO	MMA 01 530 170	REV	2	DATE 2023/06/28

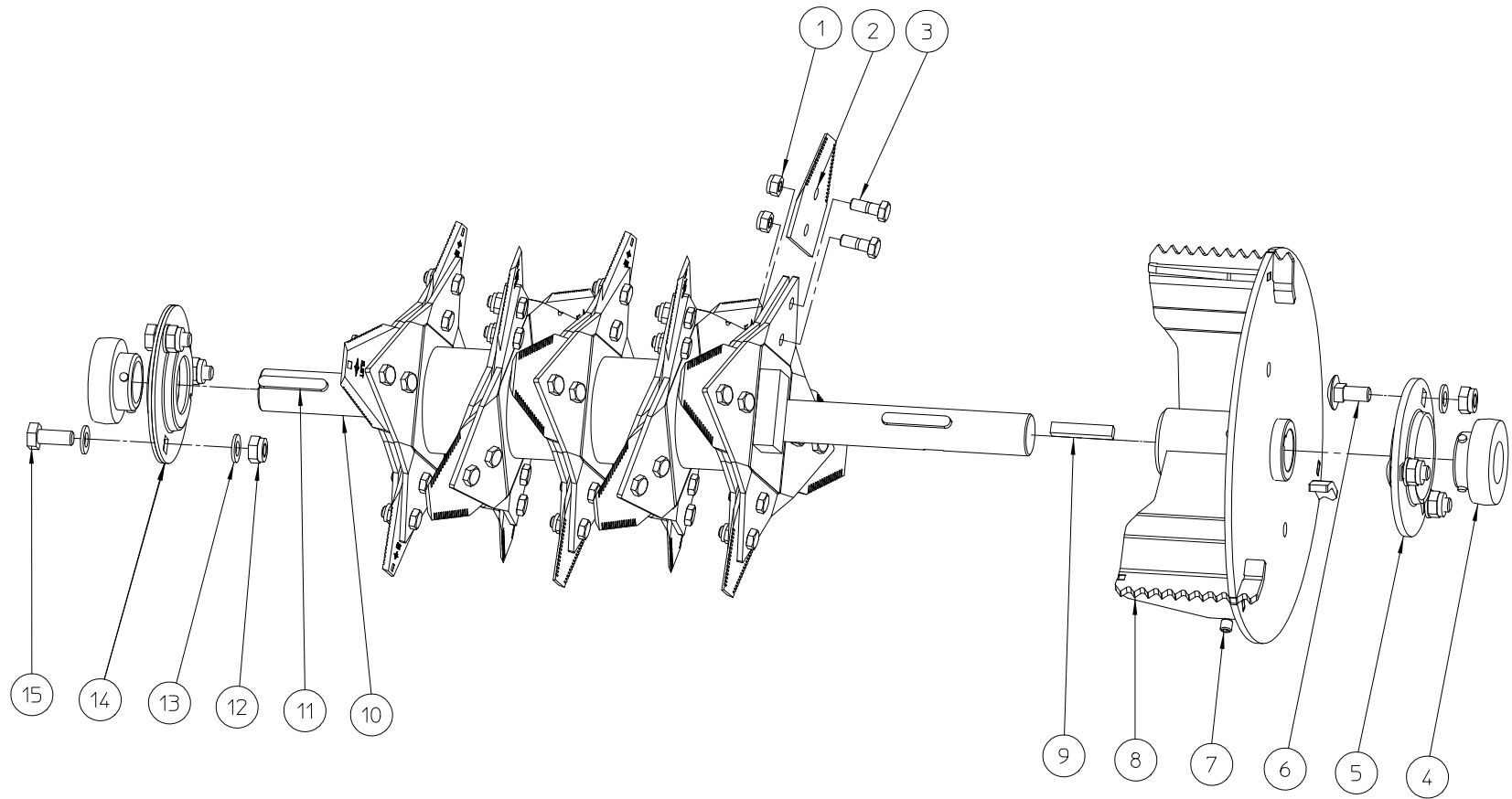
#	Order nr	article description	quantity
1	MPA 01 530 590		1
2	BS 505 800 600	nut m6 din 986	8
3	BS 531 000 600	washer m6 din 125	9
4	BR 930 050 010		1
5	BR 111 100 200	nylon bushing (10.5/21x2.5)	1
6	BS 532 008 253	washer m8x25x1.5	1
7	BN 630 808 400	lob knob 188-40 m8	1
8	BS 554 100 625	bolt m6x25 din 603	4
9	MPA 01 530 430		2
10	MPA 01 530 700		1
11	MPA 01 042 100		2
12	BN 530 106 630	clamp levers	1
13	BR 930 050 020		1
14	BS 554 100 616	bolt m6x16 din 603	6
15	BS 502 000 600	self locking nut m6 din 985	3
16	BS 532 006 224	washer m6x22x2	3
17	BR 111 060 690	nylon bushing (6/10x6)	3
18	MPA 01 530 600		1
19	BS 554 100 825	bolt m8x25 din 603	1
20	BS 522 500 620	screw m6x20 iso 7380	2



ELIET VECTOR 4S – REAR ASSEMBLY

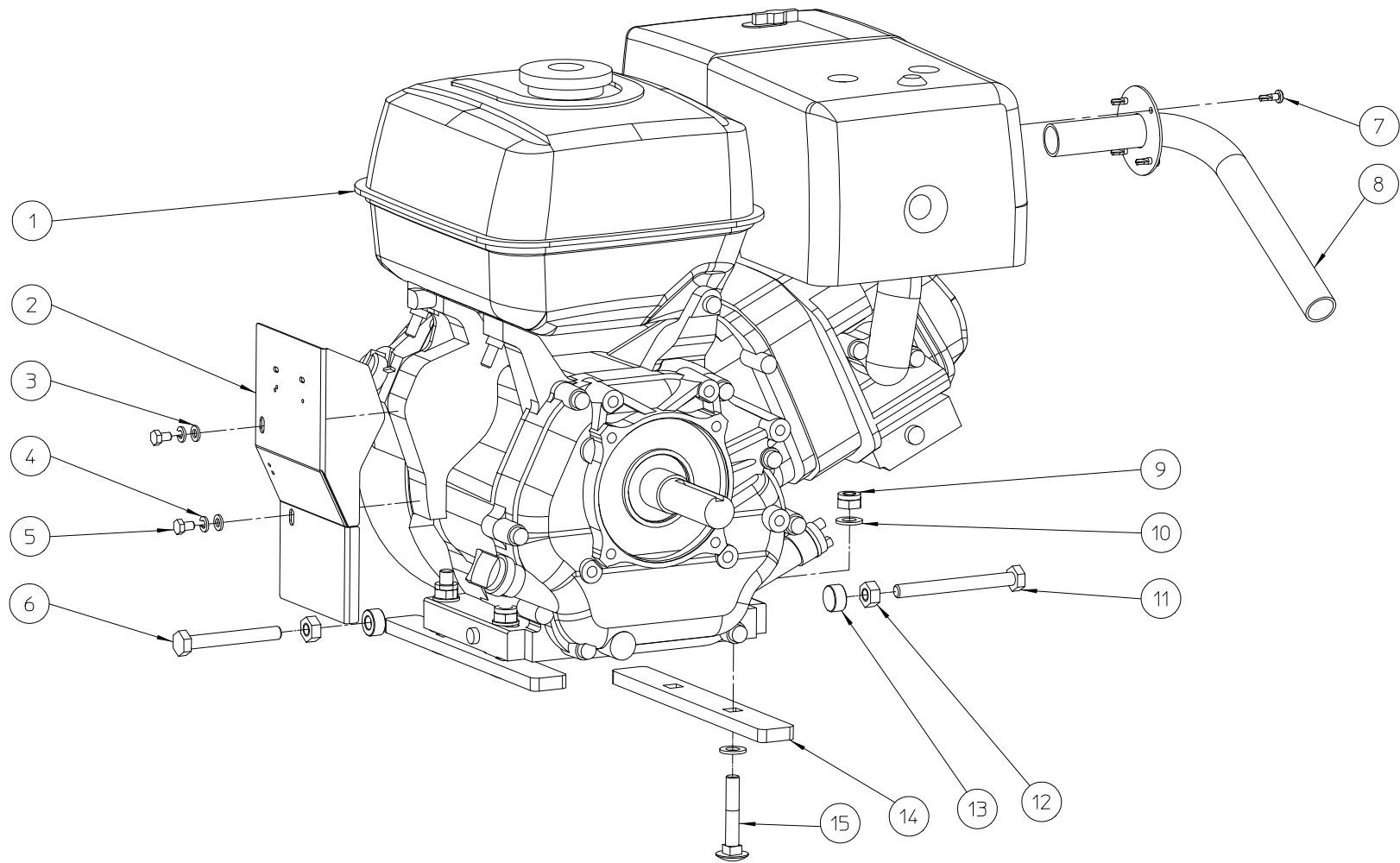
NO	MMA 01 530 200	REV	1	DATE	2023/07/03
----	----------------	-----	---	------	------------

#	Order nr	article description	quantity
1	BS 511 000 848	bolt m8x80 din 931	2
2	BS 531 000 800	washer m8 din 125	4
3	MPA 01 054 980	hinge back cover	2
4	BS 502 000 800	self locking nut m8 din 985	2
5	MPA 01 530 380		1
6	BS 554 100 620	bolt m6x20 din 603	4
7	BS 531 000 600	washer m6 din 125	6
8	BS 502 000 600	self locking nut m6 din 985	4
9	BS 512 000 614	bolt m6x14 din 933	1
10	BS 505 800 600	nut m6 din 986	1
11	BS 532 010 305	washer m10x30x2.5	1
12	BN 630 410 420	lob knob	1
13	MPA 01 054 890	nut back cover	1
14	BS 023 000 606	set screw m6x6 din 916	1



ELIET VECTOR 4S - ROTOR					
NO	MMA 01 530 180	REV	1	DATE	2023/05/03

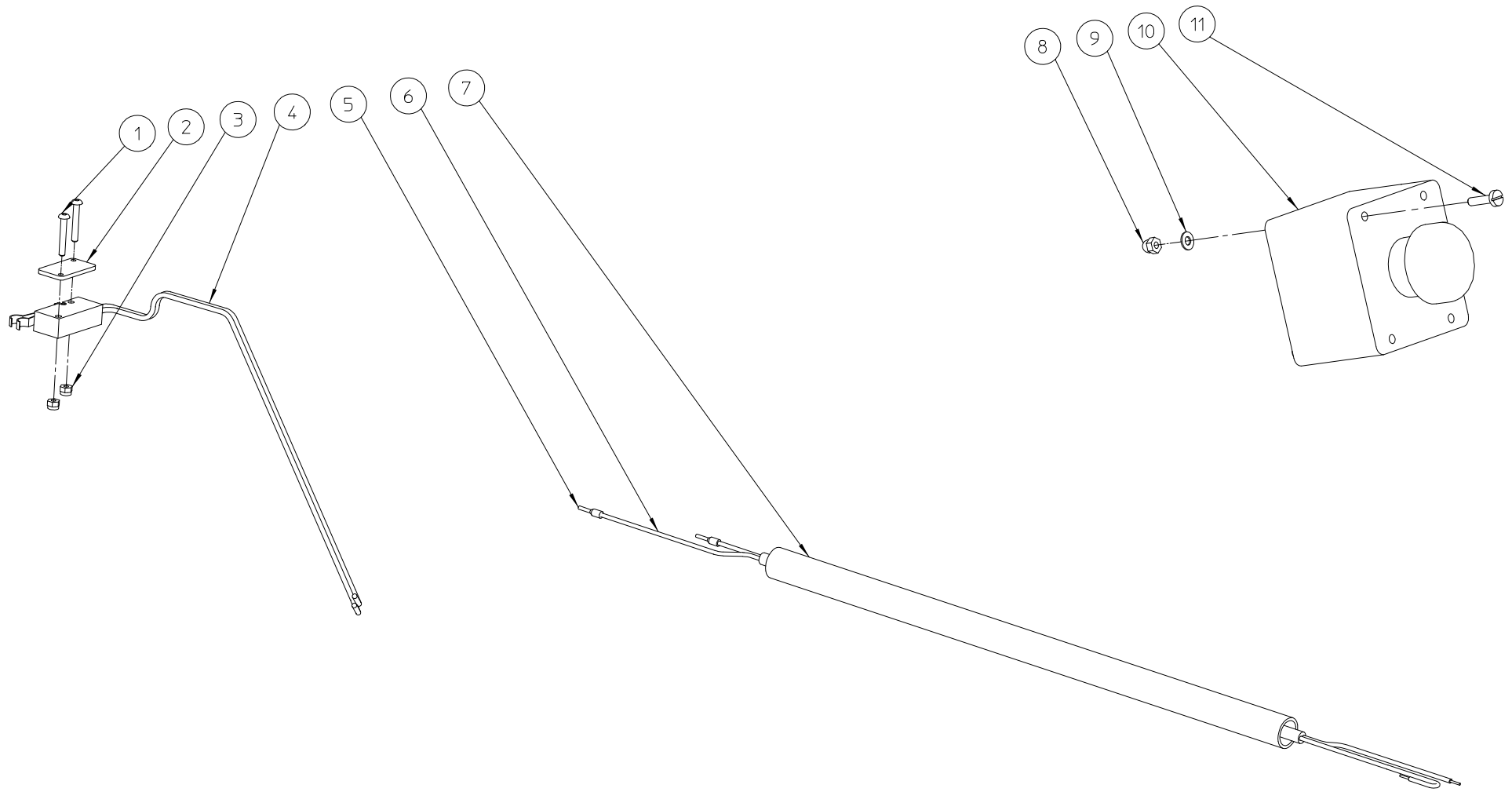
#	Order nr	article description	quantity
1	BS 502 000 800	self locking nut m8 din 985	1
2	BU 101 200 500	knife 82x75x3 v2016	1
3	BS 011 000 822	bolt m8x22 din 931	1
4	BL 513 006 203	bearing as 206	1
5	BL 711 503 000	flanges pf 206	1
6	BS 554 101 025	bolt m8x60 din 603	3
7	BS 023 000 808	set screw m8x8 din 916	2
8	MPA 01 530 400		1
9	BB 341 080 745	key 8x7x45 din 6880	1
10	MPA 01 530 350		1
11	BB 351 080 750	key 8x7x50 din 6885a	2
12	BS 502 001 000	self locking nut m10 din 985	6
13	BS 531 001 000	washer m10 din 125	9
14	BL 801 503 001	kit bearing aspf 206 complete	1
15	BS 512 001 025	bolt m10x25 din 933	3



ELIET VECTOR 4S – ENGINE

NO	MMA 01 530 160	REV	1	DATE	2023/06/28
----	----------------	-----	---	------	------------

#	Order nr	article description	quantity
1	BM 202 113 000	honda gx 390	1
2	MPA 01 530 640		1
3	BS 531 000 600	washer m6 din 125	2
4	BS 533 000 600	lock washer m6 din 127b	2
5	BS 512 000 610	bolt m6x10 din 933	2
6	BS 512 001 048	bolt m10x80 din 933	1
7	BS 516 040 016	self-drilling screw din 7504 4.8x16 mm	4
8	MPA 01 530 300		1
9	BS 502 001 000	self locking nut m10 din 985	4
10	BS 531 001 000	washer m10 din 125	8
11	BS 512 001 050	bolt m10x100 din 933	1
12	BS 501 001 000	nut m10 din 934	2
13	MPA 01 074 440	spacer ring tension engine	2
14	MPA 01 530 680		2
15	BS 554 101 044	bolt m10x60 din 603	4



ELIET VECTOR 4S - ELECTRIC				
NO	MMA 01 530 140	REV	1	DATE 2023/06/28

#	Order nr	article description	quantity
1	BS 522 500 320	screw m3x20 iso 7380	2
2	MPA 01 530 460		1
3	BS 502 000 300	self locking nut m3 din 985	2
4	BE 120 010 507	safety switch	1
5	BE 033 002 300	connecting clamp	2
6	BE 094 023 550		1
7	BE 045 121 050	hose polyflex nw12 black 105cm	1
8	BS 505 500 400	nut m4 din 1587	4
9	BS 531 000 400	washer m4 din 125	4
10	BE 122 710 001	pressure button red with lock	1
11	BS 541 000 416	screw m4x16 din 84	4